

CABLE 357 RF-0025-F1-1: SMP R/A JACK + TNC 2 HOLES PANEL BULKHEAD JACK WITH O-RING RATED TO IP67/68 + HABIA 0.085SF CABLE, L=25MM

**SPECIFICATIONS:**

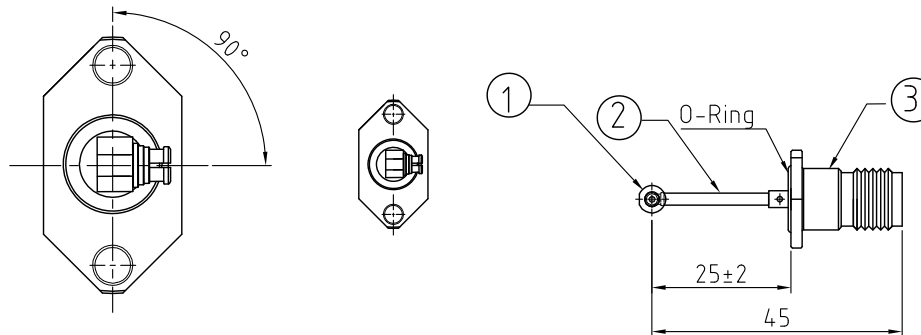
1. SMP RIGHT ANGLE JACK, P/N: RFCT-SMP003-F85.
2. HABIA FLEXIFORM 405, 0.085" SEMI FLEX CABLE, MAGNETIC, 50 OHM.
3. TNC STRAIGHT 2 HOLES PANEL BULKHEAD JACK WITH O-RING RATED TO IP67/68, P/N: RFCT-TNC014-F85.

**ENVIRONMENTAL:**

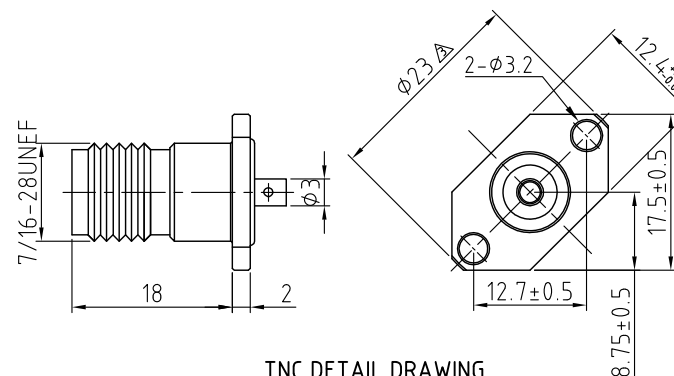
- A. BULKHEAD MOUNTED CONNECTOR (RFCT-TNC014-F85) TESTED TO THE FOLLOWING SPECIFICATION:
- i. IP6X - DUST TIGHT - NO PARTICLE INGRESS.
  - ii. IPX8 WATERPROOF 30 MINUTES AT 20 METERS UNDERWATER.
- AND RATED TO:
- i. IPX7 WATERPROOF FOR 30 MINUTES UP TO 1 METER URWATER.

**NOTES:**

1. THE ORIENTATION OF CONNECTORS SHOULD BE FIXED AS SHOWN ON DRAWING.
2. WORKING FREQUENCY RANGE: DC-6GHz.
3. OPERATING TEMPERATURE: -40°C~+155°C.
4. IMPEDANCE: 50 OHM.

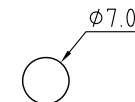


CONNECTORS ORIENTATION

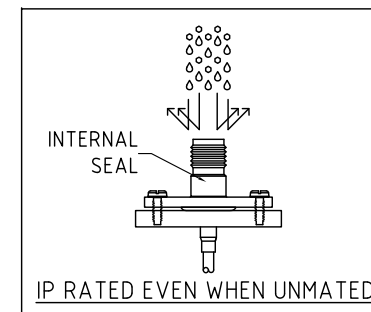


TNC DETAIL DRAWING

HOW TO ORDER  
CABLE 357 RF - 0 0 2 5 - F 1 - 1



RECOMMENDED PANEL CUT OUT



REV. DATE & DRN
10 04/10/19 - NYW RELEASE
11 14/07/19 - NYW
12 03/07/19 - NYW
13 02/06/20 - NYW
14 08/05/20 - NYW
15 24/03/24 - CC

Scale: NTS	THIRD ANGLE	Unstated Tolerances:
Drawn: CC		.X N/A
App'd: XXX	Title CABLE ASSEMBLY	.XX N/A
Date: 24 MAR. '24	Revision: 15	.XXX N/A
	Unit: mm	ANGLES N/A

IP Rated RF Products

www.gradconn.com

Type: Cable 357 RF
CABLE 357 RF-0025-F1-1
Drawing Number:
Sheet 1 of 1
Drawing © E and O E